

JHD128128 SERIES

CHARACTERISTICS

DISPLAY CONTENT : 128 x 128 DOTS

DRIVING MODE : 1/128D

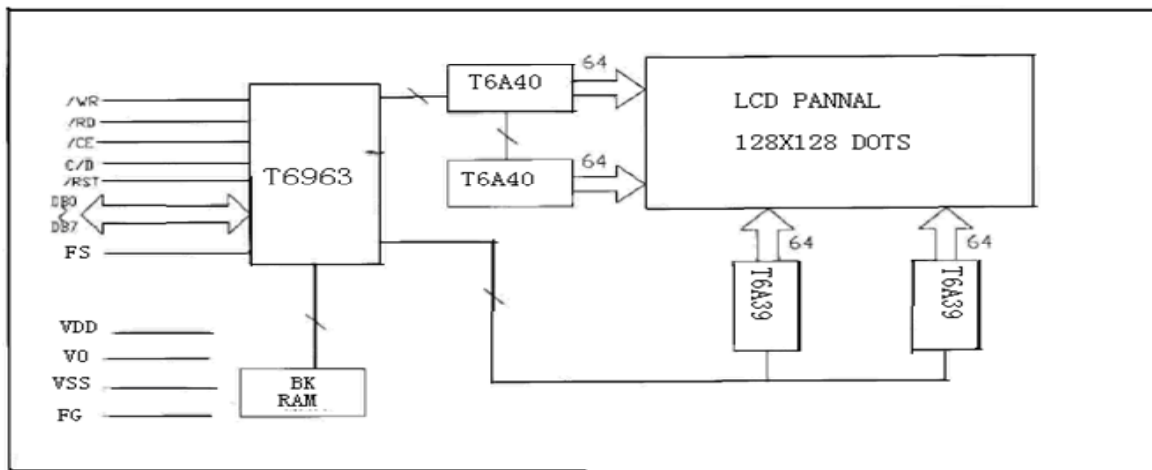
AVAILABLE TYPES :

STN(YELLOW GREEN, GREY, B/W)

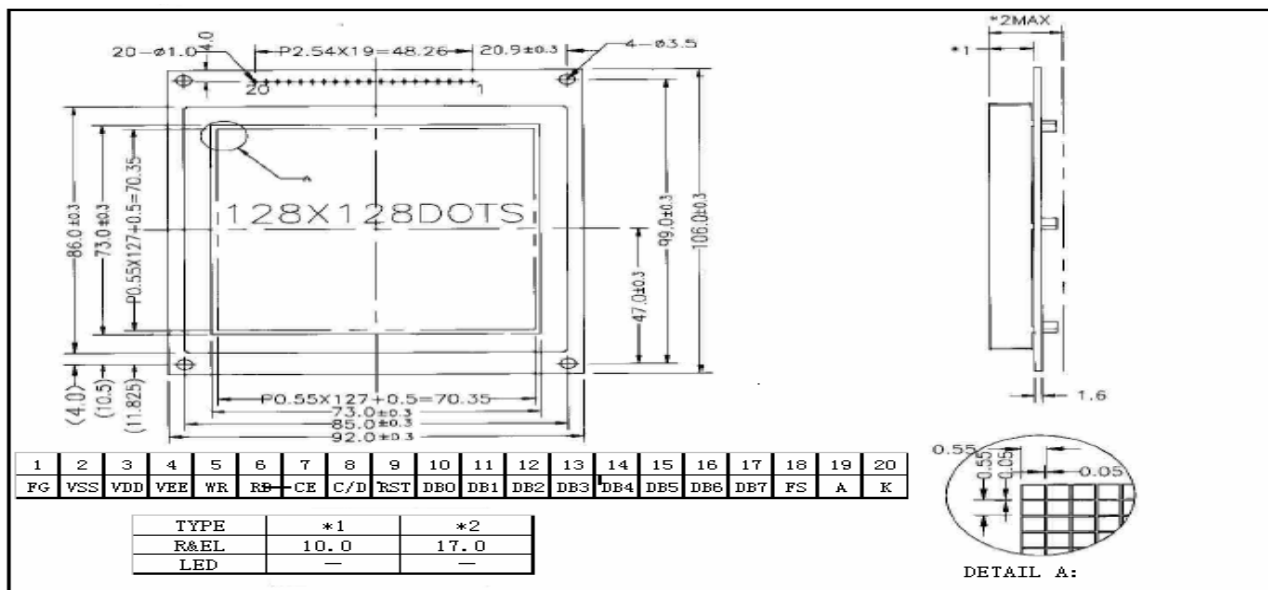
REFLECTIVE, WITH LED

LED/4.2VDC

APPLICATION CIRCUIT



DIMENSIONS/DISPLAY CONTENT



LIMIT PARAMETER

PARAMETER	Symbol	Testing Criteria	Standard Values		UNIT
			MIN	MAX	
Supply Voltage	$V_{DD}-V_{SS}$	Ta=25	0	6.5	V
LCD Voltage	$V_{DD}-V_0$		0	25.0	V
Input Voltage	V_1		0	V_{DD}	V

ELECTRIC PARAMETER

PARAMETER		Symbol	Testing Criteria	Standard Values			UNIT
				MIN	Typical	MAX	
Voltage	LOGIC	$V_{DD}-V_{SS}$	-	4.75	5.0	5.25	V
	LCD	$V_{DD}-V_{RR}$	-	-	18.0	-	V
Current	LOGIC	I_{DD}	-	-	10.0	-	mA
	LCD	I_{EE}	-	-	3.0	-	mA
LCD Drive Voltage (recommend)		$V_{DD}-V_0$	0	-	19.5	-	V
			25	-	18.0	-	V
			40	-	17.0	-	V
Input Voltage	' H ' Level	V_{IH}	High	$0.7V_{DD}$	-	V_{DD}	V
	' L ' Level	V_{IL}	Low	0	-	$0.3V_{DD}$	V

PIN CONFIGURATION

PIN	SYMBOL	LEVEL	INSTRUCTION
1	FG	0V	Frame ground
2	VSS	0V	Ground contact (GND)
3	VDD	5.0V	Supply voltage for logic and LCD(+)
4	VEE	-	Operation voltage for LCD(variable)
5	/WR	L	Write enable signal
6	/RD	L	Read enable signal
7	CE	L	Chip enable signal
8	CD	H/L	H: Instruction ; L: data
9	RST	L	Reset signal
10	D0	H/L	DATA 0
11	D1	H/L	DATA 1
12	D2	H/L	DATA 2
13	D3	H/L	DATA 3
14	D4	H/L	DATA 4
15	D5	H/L	DATA 5
16	D6	H/L	DATA 6
17	D7	H/L	DATA 7
18	FS	H/L	Font selection
19	A	-	Backlight power supply
20	K	-	Backlight power supply