

JHD12864AB SERIES

CHARACTERISTICS

DISPLAY CONTENT : 128 x 64 DOTS

DRIVING MODE : 1/64D

AVAILABLE TYPES :

STN(YELLOW GREEN, GREY, B/W)

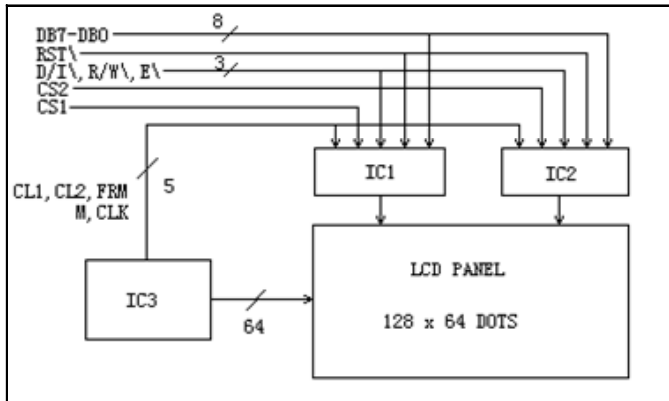
REFLECTIVE, WITH EL OR LED

EL/100VAC , 400HZ

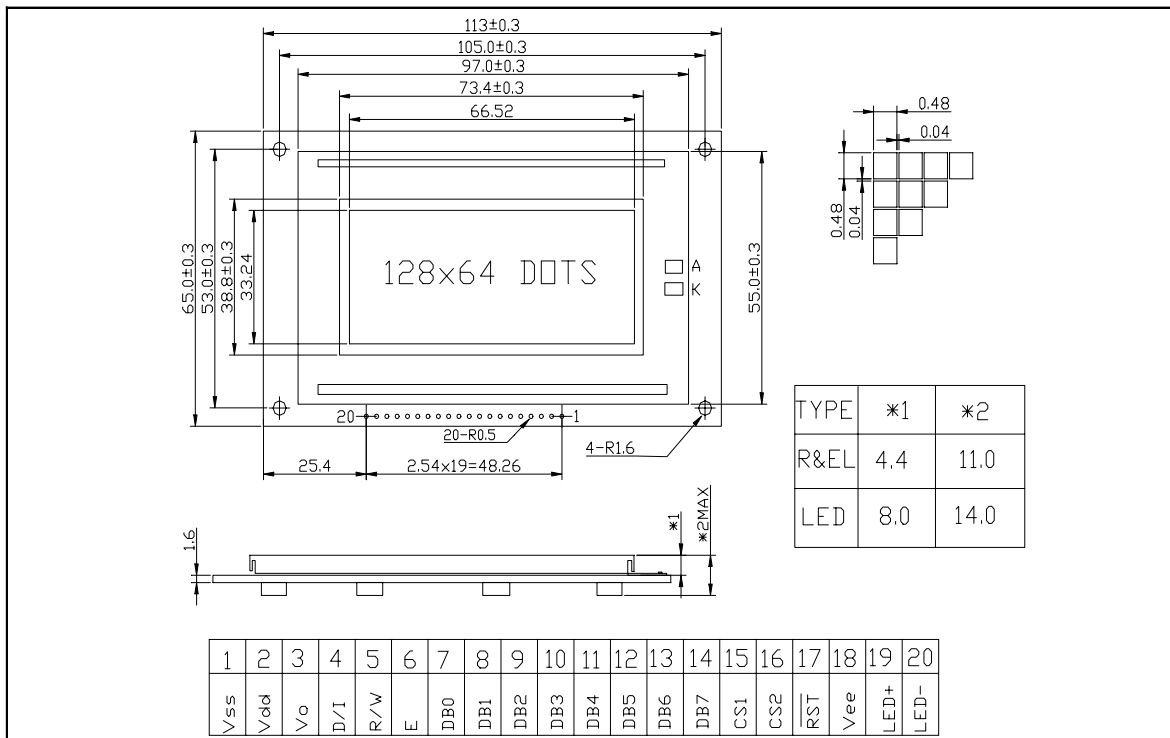
LED/4.2VDC

Backlight color(Emerald Green)

APPLICATION CIRCUIT



DIMENSIONS/DISPLAY CONTENT



LIMIT PARAMETER

PARAMETER	Symbol	Testing Criteria	Standard Values		UNIT
			MIN	MAX	
Supply Voltage	V _{DD-VSS}	Ta=25	0	6.5	V
LCD Voltage	V _{DD-V0}		0	18.0	V
Input Voltage	V _I		0	V _{DD}	V

ELECTRIC PARAMETER

PARAMETER		Symbol	Testing Criteria	Standard Values			UNIT
				MIN	Typical	MAX	
Voltage	LOGIC	V _{DD-VSS}	-	4.75	5.0	5.25	V
	LCD	V _{DD-V0}	-	-	15.0	-	V
Current	LOGIC	I _{DD}	-	-	7.0	-	mA
	LCD	I _{EE}	-	-	3.0	-	mA
LCD Drive Voltage (recommend)			0	-	13.0	-	V
			25	-	12.0	-	V
			40	-	11.0	-	V
Input Voltage	' H ' Level	V _{IH}	High	0.7V _{DD}	-	V _{DD}	V
	' L ' Level	V _{IIL}	Low	0	-	0.3V _{DD}	V

PIN CONFIGURATION

PIN	SYMBOL	LEVEL	INSTRUCTION
1	V _{SS}	0V	Ground contact (GND)
2	V _{DD}	5.0V	Power Supply Voltage
3	V ₀	LCD Drive Voltage	Adjust Contrast
4	D/I	H/L	H:DATA ; L:COMMAND
5	R/W	H/L	H:READ ; L:WRITE
6	E	H,H L	IC select signal
7	DB0	H/L	DATA 0
8	DB1	H/L	DATA 1
9	DB2	H/L	DATA 2
10	DB3	H/L	DATA 3
11	DB4	H/L	DATA 4
12	DB5	H/L	DATA 5
13	DB6	H/L	DATA 6
14	DB7	H/L	DATA 7
15	CS1	H	Select Signal 1,High effective
16	CS2	H	Select Signal 2,High effective
17	RST	L	RESET signal , low effective
18	V _{EE}	-10.0V	LCD Drive negative voltage
19	LED+		Back LED Anode
20	LED-		Back LED Negative